



Bluetooth 4.2 & Dual-band Wi-Fi Dongle

—High Performance USB Dongle WFBT60

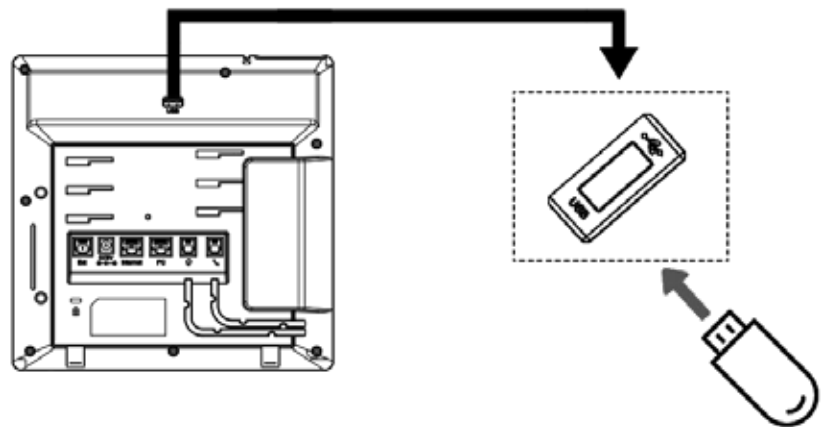
WFBT60 is designed to expand the functions of the IP Phone by enabling them to connect Bluetooth headsets and Wi-Fi network. WFBT60 supports dual-band 2.4GHz and 5GHz Wi-Fi with a wireless transmission rate up to 433.3 Mbps. By connecting to Wi-Fi, you can place your IP Phone wherever wireless network is available. The Wi-Fi function is compatible with IEEE 802.11a/b/g/n/ac to maximize reliability and throughput. WFBT60 is also compatible with Bluetooth specification V4.2, which can allow you to receive calls wherever you are in the office.

- Compatible with UC926S, UC924U, UC923U, UC921U
- USB 2.0 Interface
- Bluetooth specification: V4.2
- Dual-band Wi-Fi : 2.4GHz/5GHz



Main Features

- Compatible with UC926S, UC924U, UC923U, UC921U
- USB 2.0 Interface
- Bluetooth specification: V4.2
- Bluetooth frequency range: 2.402GHz-2.480GHz
- Answer incoming calls through Bluetooth headset
- Terminate calls through Bluetooth headset
- Dual-band Wi-Fi :2.4GHz/5GHz
- Wireless data rate can reach up to 433Mbps
- IEEE Standards: IEEE 802.11a/b/g/n/ac
- Security: WEP, WPA/WPA2, WPA-PSK/WPA2-PSK
- Plug and Play



Wi-Fi Transmission Rate

- 11b: 1/2/5.5/11Mbps
- 11g: 6/9/12/18/24/36/48/54Mbps
- 11n: up to 200Mbps
- 11ac: up to 433.3Mbps

Physical Features

- Module dimension: 27mm*16mm*7mm
- Power Supply: DC 5V±0.3V @ 420mA (Max)
- Operating humidity: 10~90%
- Operation Temperature: 0~40°C

Packing

- 20 PCS/CTN
- N.W/CTN: 0.45KG
- G.W/CTN: 0.65KG
- Giftbox Size: 106*145*10mm
- Carton Size: 245*225*100mm

Learn More

To find out how Htek solutions can help your organization, visit us at SALES@COMMSUNLIMITED.COM | WWW.COMMSUNLIMITED.COM